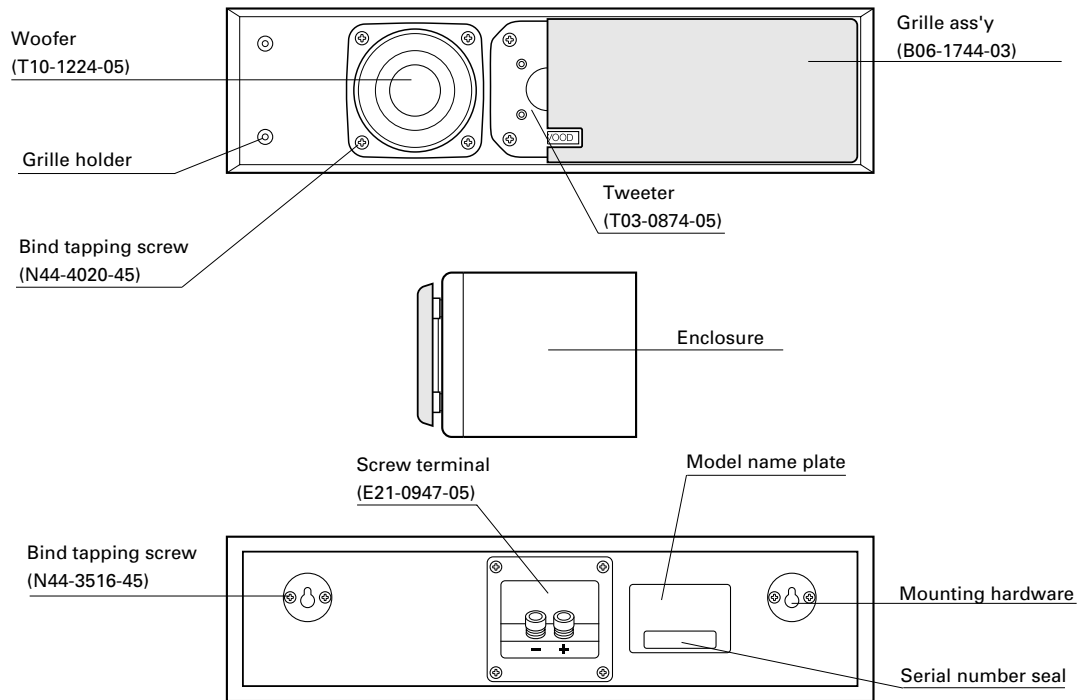


CS-7070-B/-ML

SERVICE MANUAL

EXTERNAL VIEW



SPECIFICATIONS

Enclosure	Acoustic Air Suspension type
Woofer80 mm (3 ") cone type
Tweeter	19 mm (3/4 ") Balanced dome type
Impedance8 Ω
Nominal Input Power25W
Maximum Input Power75W
Peak Input Power	130W
Sensitivity80 dB/W at 1m
Frequency Response75Hz ~ 30,000 Hz
Dimensions	W: 400 mm (15-3/4")
	H: 102 mm (4")
	D: 136 mm (5-3/8")
Net Weight2.8kg (6.2lb)

Note:

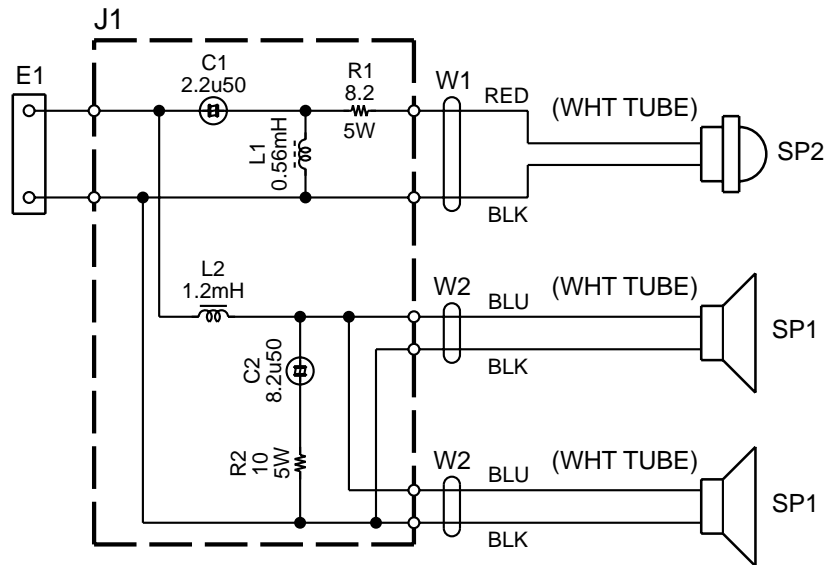
KENWOOD follows a policy of continuous advancements in development. For this reason specifications may be changed without notice.



CS-7070

NETWORK UNIT/PARTS LIST

NETWORK UNIT



PARTS LIST

* New Parts

Parts without **Parts No.** are not supplied.

Les articles non mentionnes dans le **Parts No.** ne sont pas fournis.

Teile ohne **Parts No.** werden nicht geliefert.

Ref. No.	Address	New Parts	Parts No.	Description	Destination	Remarks
CS-7070						
-		*	B06-1744-03	GRILLE ASSY		
-		*	B61-1192-00	INSTRUCTION MANUAL		
E1		*	E21-0947-05	SCREW TERMINAL		
-		*	E30-7026-05	SPEAKER CORD		
-		*	G13-3016-05	CUSHION X4 (ACCESSORY)		
-		*	H10-8385-08	POLYSTYRENE FOAMED FIXTURE		
-		*	H25-2576-08	PROTECTION BAG		
-		*	H51-1967-08	ITEM CARTON CASE	ML	
-		*	H51-1973-08	ITEM CARTON CASE	B	
SP1		*	T10-1224-05	WOOFER		
SP2		*	T03-0874-05	TWEETER		
DIVIDING NETWORK(X21-8210-00)						
C1			C90-2250-05	NP ELE 2.2UF 50WV		
C2			C90-2257-05	NP ELE 8.2UF 50WV		
L1			L38-0519-05	COIL 0.56mH		
L2			L38-0378-05	COIL 1,2mH		
R1		*	R92-2284-05	Cement 8.2 K 5W		
R2		*	R92-2285-05	Cement 10 K 5W		